

PRODUCT INFORMATION PACKET



Model No: C4K17DJ9A

Catalog No: E100014.00

..1/3HP..1725RPM.S56.DP.115/230V.1PH.60HZ.CONT.40C.1.35SF.RESILIENT BASE..NOT.....

Open Drip Proof (ODP)



Regal and Leeson are trademarks of Regal Beloit Corporation or one of its affiliated companies.

©2018 Regal Beloit Corporation, All Rights Reserved. MC017097E





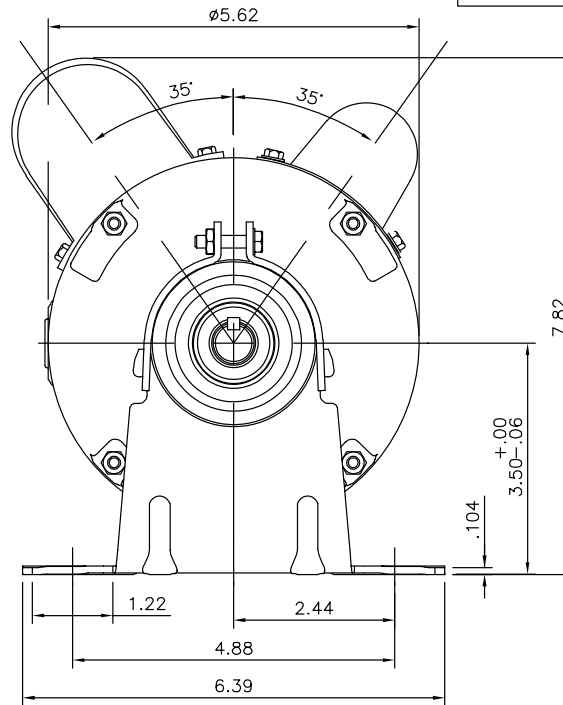
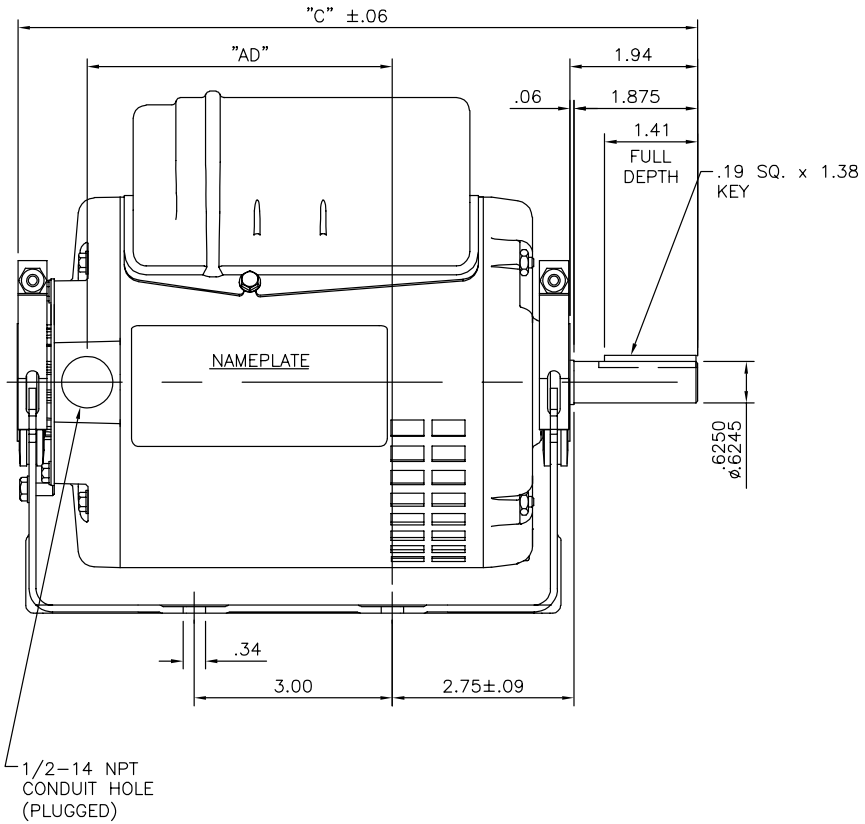
Nameplate Specifications

Output HP	0.33 Hp	Output KW	0.25 kW
Frequency	60 Hz	Voltage	115/230 V
Current	3.8/1.9 A	Speed	1725 rpm
Service Factor	1.35	Phase	1
Efficiency	72.4 %	Duty	Continuous
Insulation Class	B	Design Code	N
KVA Code	L	Frame	S56
Enclosure	Drip Proof	Overload Protector	No
Ambient Temperature	40 °C	Drive End Bearing Size	6203
Opp Drive End Bearing Size	6203	UL	Recognized
CSA	Y	CE	Y
IP Code	22		

Technical Specifications

Electrical Type	Capacitor Start Capacitor Run	Starting Method	Across The Line
Poles	4	Rotation	Selective Counterclockwise
Mounting	Resilient Base	Motor Orientation	HORIZONTAL
Drive End Bearing	BALL	Opp Drive End Bearing	BALL
Frame Material	Rolled Steel	Shaft Type	NEMA 56
Overall Length	11.81 in	Frame Length	7.00 in
Shaft Diameter	0.500 in	Shaft Extension	1.5 in
Assembly/Box Mounting	F1 ONLY		
Outline Drawing	A-SS404125-700	Connection Diagram	A-005054.15-REGAL

SS404125



DASH NO.	"C"	"AD"
700	11.81	6.12
750	12.31	6.62

NO.	REVISION	BY & DATE	TOLERANCES UNLESS SPECIFIED		REGAL TM Regal Beloit America, Inc.	DRAWN	PVR	12/19/14		
			DEC.	INCHES		CHK	VS	12/19/14		
			.X	±.1	TITLE OUTLINE S56 FRAME ROUND MOUNT – DRIP PROOF	APPD		SCALE	NTS	
			.XX	±.03		REF		031623		
			.XXX	±.005		MAT'L.				
			.XXXX	±.0005		FINISH				
			CHK	ANG		±7'30"	PREV			
THIS DRAWING IN DESIGN AND DETAIL IS OUR PROPERTY AND MUST NOT BE USED EXCEPT IN CONNECTION WITH OUR WORK ALL RIGHTS OF DESIGN AND INVENTION ARE RESERVED THIS IS AN ELECTRONICALLY GENERATED DOCUMENT – DO NOT SCALE THIS PRINT			RFP	CAD FILE SS404125		SIZE	DRAWING NO.	PAGE	1 OF 1	REV.
			DIST	WP		A	SS404125			

